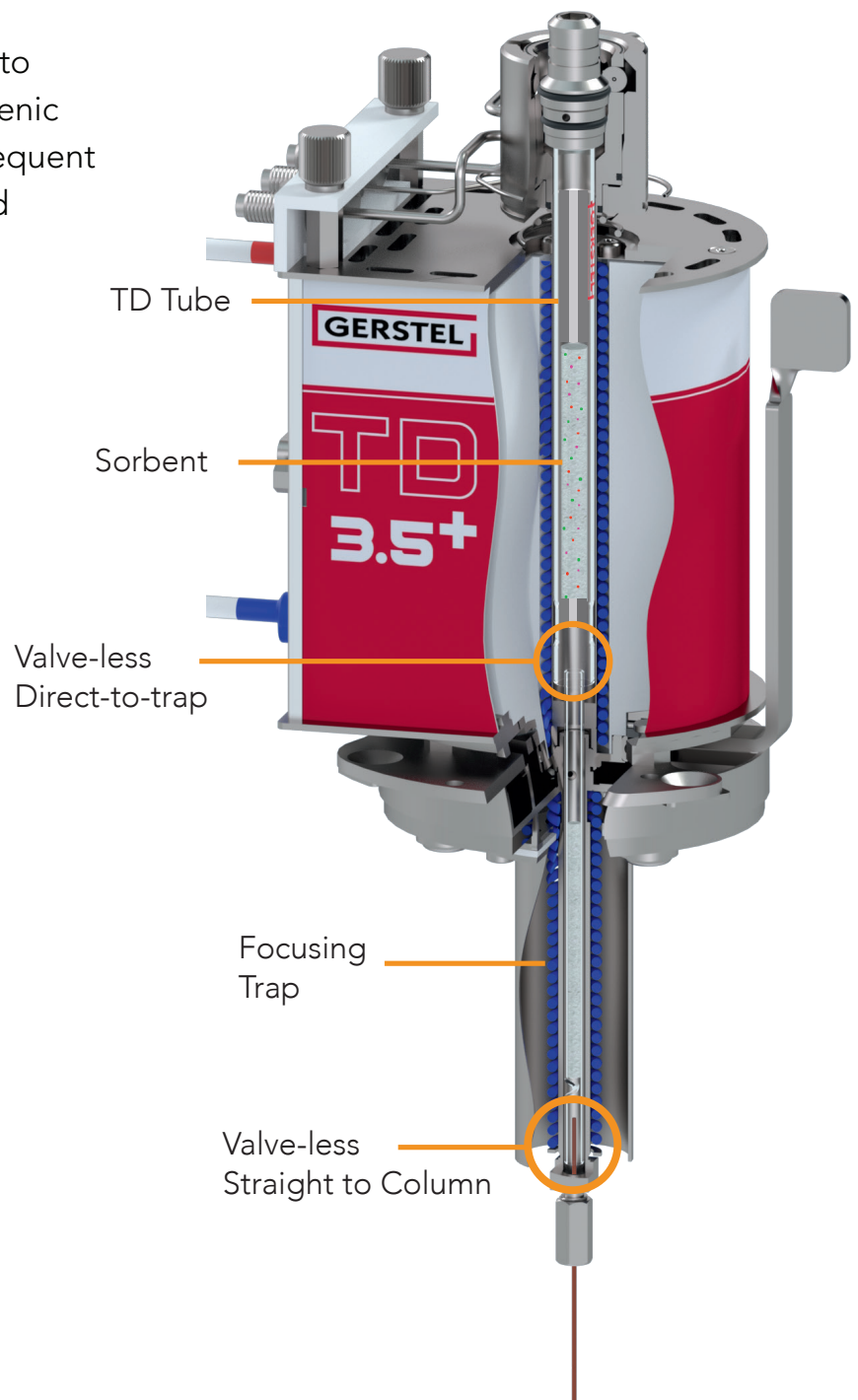


# Dynamic Focusing

## The Heart of the GERSTEL TD Core System

Determine Very-Volatile (V-VOCs) to Semi-Volatile (S-VOCs) compounds without the need for Cryogenic Cooling

Accurate determination of V-VOCs to S-VOCs without the need for cryogenic cooling or contamination-prone, frequent maintenance-dependent valves and transfer lines

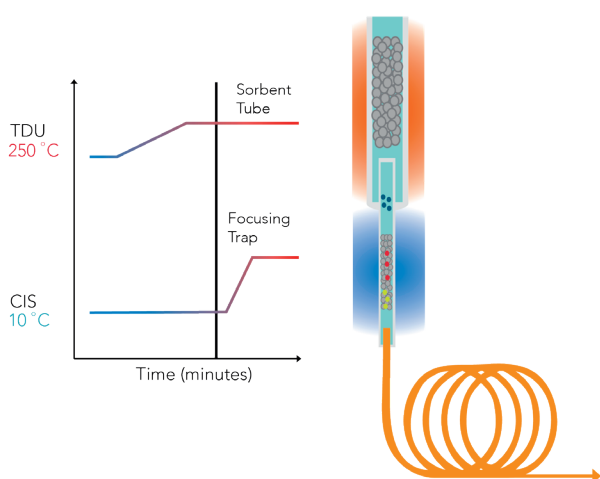


# Dynamic Focusing

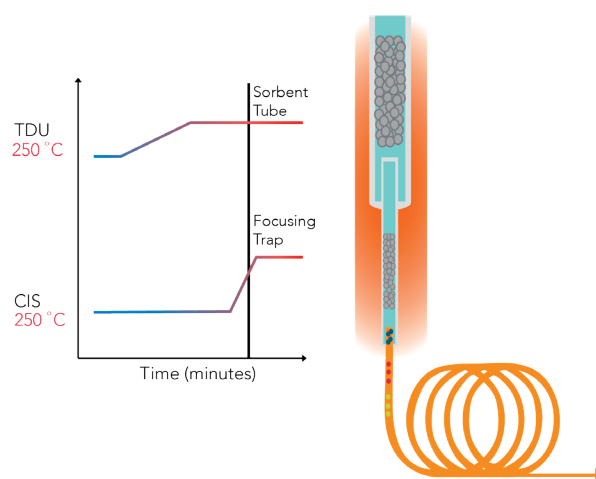
Forward Flushed Trapping without Cryogenic Cooling

Precise timing of temperature and flow provides optimum separation

● S-VOCs ● VOCs ● V-VOCs



In this method, the Thermal Desorption tube is gradually heated to release S-VOCs, VOCs, and V-VOCs on to a high-capacity focusing trap that is kept cool.



As the heaviest compounds reach the trap, it is rapidly heated so all compounds reach the head of the gas chromatographic column at once. This ensures optimum separation with the lowest detection limits.

## A New Approach with New Advantages

- "Direct-to Trap" design eliminates valves and transfer lines, eliminating carry-over and costly valve replacement while increasing up-time.
- Cryogen-free Peltier cooling at +10 °C focuses compounds with boiling points as low as propylene (C3).
- Simple design is easy to use, maintain and troubleshoot.
- Recover from "dirty" samples in minutes due to ease of cleaning and replacement of parts that come in contact with sample.
- PTFE-free sample flow path – no degradation products or chances for loss of PFAS and related compounds

Optimal for:



TO-17



ISO 16000-6



ASTM D6196

- Fully method compliant
- Commonly used for material emissions evaluations for indoor air quality or vehicle indoor air quality